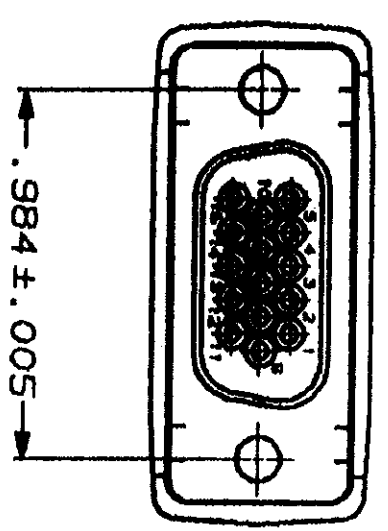
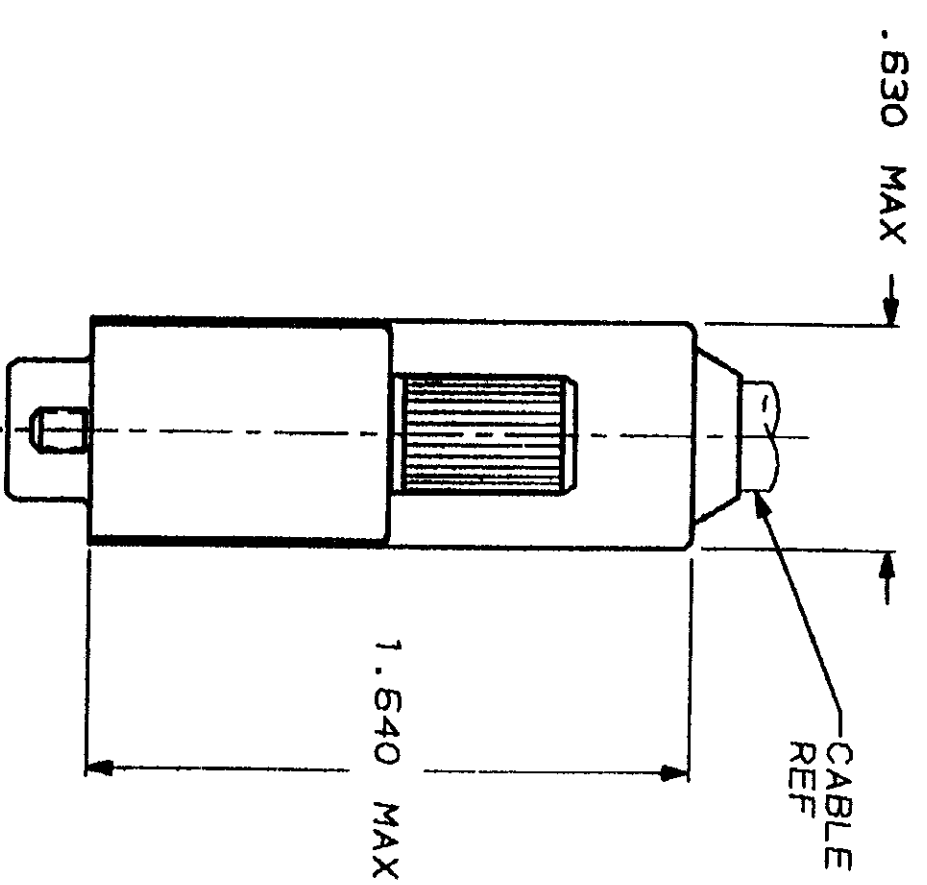
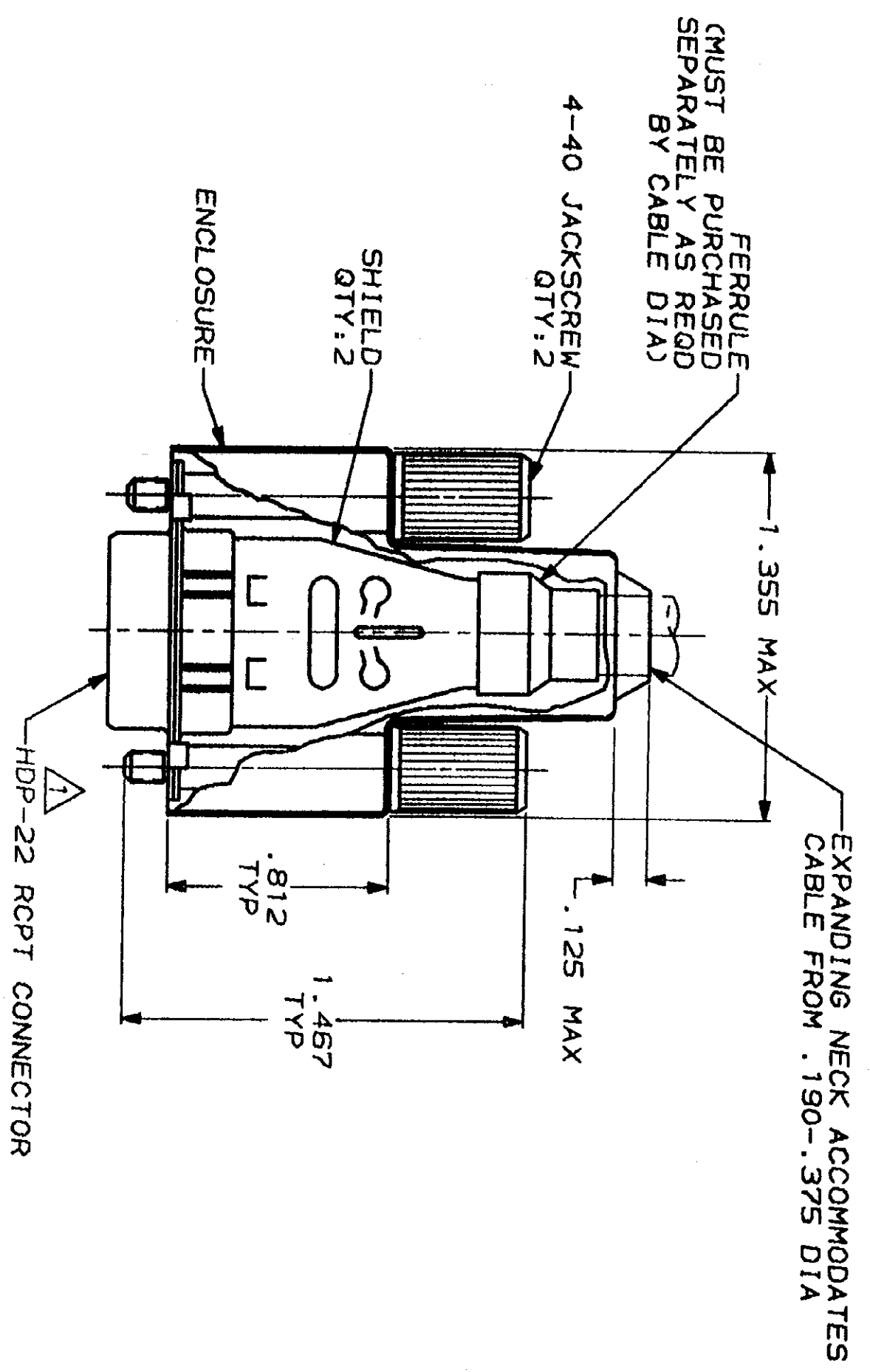


REVISIONS		DATE	APPD
✓	C	7-3-91	TMS
✓	D	04/03/92	TMS

ZONE	LTR	DESCRIPTION
C		REDRAWN AND REV ECN B05049
D		REVISED PER ECN B06133



1. RECEIPTABLE ACCEPTS SIZE 22 DF PIN CONTACTS. CONTACTS MUST BE PURCHASED SEPARATELY.
2. ALL PARTS SHIPPED UNASSEMBLED.
3. FLAME RETARDANT 94V-0 RATED, STYRENE POLYOLEFIN OR PVC, BLACK.
4. FLAME RETARDANT 94V-0 RATED GLASS FILLED, NYLON OR POLYESTER, BLACK.
5. STEEL PER ASTM A109.
6. TIN PLATING PER MIL-T-10727.
7. ZINC PLATING PER ASTM B633, TYPE II, CLASS SCl, BLACK CHROMATE.
8. COMPONENTS INDIVIDUALLY BULK PACKED.

PACKAGING	PART NUMBER
	748639-1

DO NOT SCALE PRINT. UNLESS SPECIFIED DIMENSIONS IN INCHES TOLERANCES ON: 1. PLC DEC ± .020 2. PLC DEC ± .020 ANGLES ± .	DR 7-3-91 R. SHIREY CHK 8-2-91 R. STONE APPD 8-5-91 T.M. SPANGLER	NAME SHIELDING ENCLOSURE KIT, RCPT, SIZE 1, 15 POSN, HDP-22, AMPLIMITE™
MATERIAL ENCLOSURE, ZINC ALLOY	APPD 8-7-91 J. ASSINI PRODUCT SPEC	AMP INCORPORATED Harrisburg, Pa. 17105
FINISH SHELLS & SHIELDS, JACKSCREWS, ZINC	APPLICATION SPEC	SIZE FSCM NO 00779 SCALE 2:1
	WEIGHT	DRAWING NO 748639 SHEET 1 OF 1

CUSTOMER DRAWING